



**NightExplorer 7x50
Astronomy Binoculars**

Art. No.: 9621600



EN INSTRUCTION MANUAL

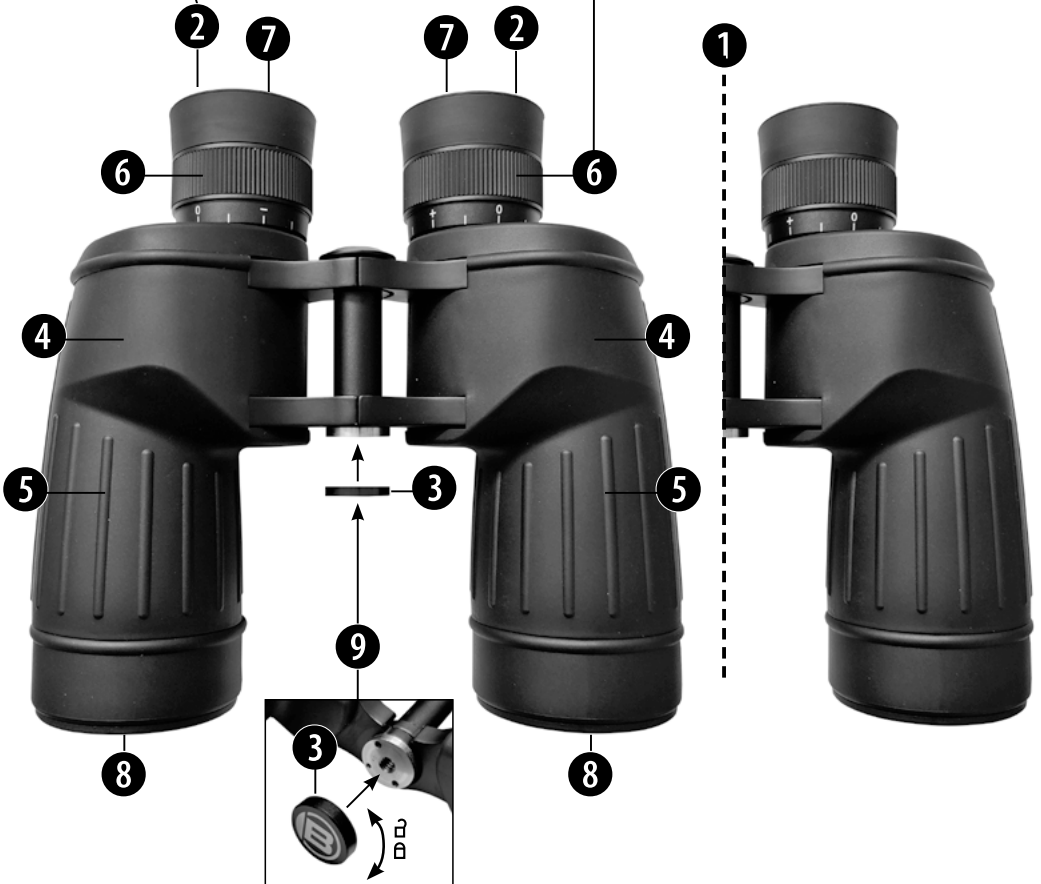
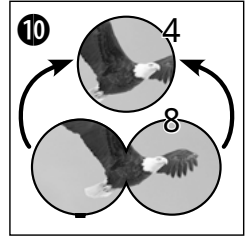


MANUAL DOWNLOAD:



Never use this device to look directly at the sun or in the direct proximity of the sun. Doing so may result in a risk of blindness.

www.bresser.de/P9621600



GENERAL SAFETY INFORMATIONS!

RISK of physical injury!

Never look through this device directly at or near the sun. There is a risk of **BLINDING YOURSELF!**

Children should only use this device under supervision. Keep packaging materials (plastic bags, rubber bands, etc.) away from children. There is a risk of **SUFFOCATION.**

Fire/Burning RISK!

Never subject the device - especially the lenses - to direct sunlight. Light ray concentration can cause fires and/or burns.

RISK of material damage!

Never take the device apart. Please consult your dealer if there are any defects. The dealer will contact our service centre and send the device in for repair if needed.

Do not subject the device to temperatures exceeding 60° C!

List of Parts

- ❶ Centre axle
- ❷ Rubber eyecups
- ❸ Tripod connection cap
- ❹ Body of the binoculars
- ❺ Lens tube
- ❻ Individual eyepiece adjustment
- ❼ Eyepiece
- ❽ Objective lens
- ❾ Threaded tripod connection
- ❿ Image circle with correctly set eye distance

Eyepieces for spectacle wearers

To use the binoculars while wearing glasses, turn the rubber eyecups (2) towards the sides and down. If you are not wearing glasses, leave the eyecups in the upright position to achieve the required distance from the pupils.

Adjusting the eyepiece distance

The distance between the eyes differs between individuals. To achieve perfect interaction between your eyes and the eyepieces of your binoculars set the angle at the centre of the binoculars (1) so that you see a circular image (10). Note this setting for later use.

Adjusting the focus

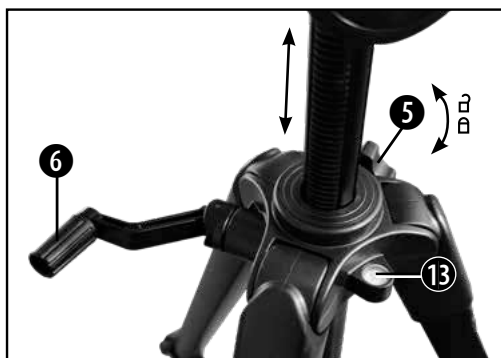
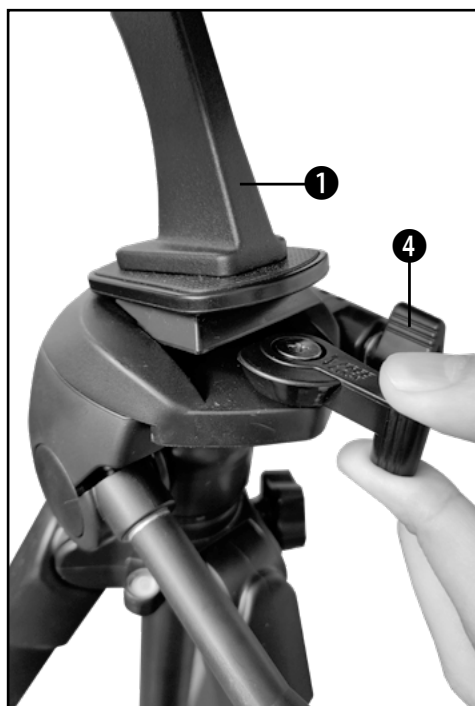
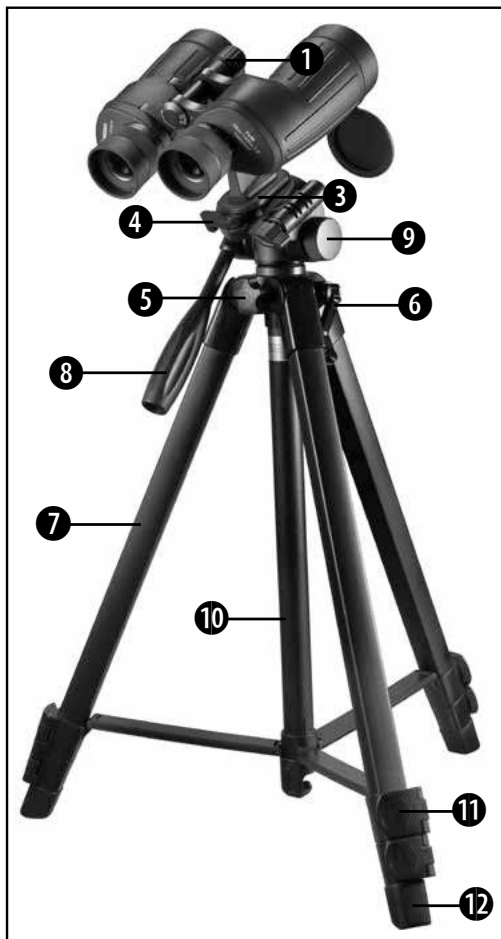
Your binoculars have single eyepiece adjustment (6) means. To focus look at an object approximately 100 meters away. Close only your left eye and keep turning the right eyepiece setting ring 1 until the object looked at is in sharp focus. Then close only your right eye and turn the left eyepiece setting 1 until the object you are looking at is again in sharp focus. The binoculars are now precisely adjusted to your eyesight.

The single eyepiece setting (6) is designed to give you better perspective. When switching between objects of varying distance the focus need only be readjusted if the change in distance is really major.

Mounting the binoculars on a tripod

Remove the tripod connection cap (3) to access the threaded tripod connection (9). Then screw on the tripod adapter. You can use this to mount your binoculars on the included tripod.

Tripod mounting



Tripod parts overview

- ❶ Tripod adapter
- ❷ Tripod connection thread
- ❸ Tripod adapter base
- ❹ Lock for tripod adapter plate
- ❺ The locking knob of the center column
- ❻ Crank for the extendable center column
- ❼ Tripod leg
- ❽ Vertical adjustment lock and swivel handle
- ❾ Horizontal adjustment lock
- ❿ Centre column
- ⓫ Locking clips
- ⓬ Rubber feet
- ⓭ Bubble level

NOTE!

Make sure that the quick clamping rings and fixing screws are always hand-tightened so that the necessary stability of the tripod is guaranteed. Check the stability before putting on a device.

Keep holding the photographic or optical device until it is balanced and secured on the tripod.

Never open the quick clamping rings and fixing screws with an attached device to prevent damage from falling.

TIPS on cleaning

Lenses (eyepieces and/or object lenses) should be cleaned with a soft, lint-free cloth (e.g. microfibre) only. Do not use excessive pressure - this may scratch the lens.

Dampen the cleaning cloth with a spectacle cleaning fluid and use it on very dirty lenses.

Protect the device against dirt and dust. Leave it to dry properly after use at room temperature.

Then put the dust caps on and store the device in the case provided.

DISPOSAL

Dispose of the packaging materials properly, according to their type, such as paper or cardboard. Contact your local waste-disposal service or environmental authority for information on the proper disposal.

WARRANTY & SERVICE

The regular guarantee period is 5 years and begins on the day of purchase. You can consult the full guarantee terms at www.bresser.de/warranty_terms.

In the event of a warranty claim, please first contact the service team responsible for your country, preferably by e-mail or by using the contact form on the website. In most cases, they will be able to help you quickly. You will find the relevant contact information under "Service" in this manual.

IMPORTANT!

Do not send in equipment - even in the event of damage - without first consulting the Service Department. Unfortunately, unsolicited units cannot be accepted and processed.

SERVICE

Please contact the service centre first for any questions regarding the product or claims, preferably by e-mail.

E-Mail: service@bresser.de
Telephone*: +49 28 72 80 74 210

BRESSER GmbH

Kundenservice
Gutenbergstr. 2
46414 Rhede
Deutschland

*Number charged at local rates (the amount you will be charged per phone call will depend on the tariff of your phone provider); calls from abroad will involve higher costs.

A series of 20 horizontal dotted lines spanning the width of the page, intended for handwriting practice.

A series of 20 horizontal dotted lines spanning the width of the page, providing a template for handwriting practice.

Contact

Bresser GmbH
Gutenbergstraße 2
46414 Rhede · Germany
www.bresser.de

     @BresserEurope



Copyright 2021 © Bresser GmbH
Errors and technical changes reserved.

Manual_9621600_NightExplorer-7x50_en_BRESSER_v042021a